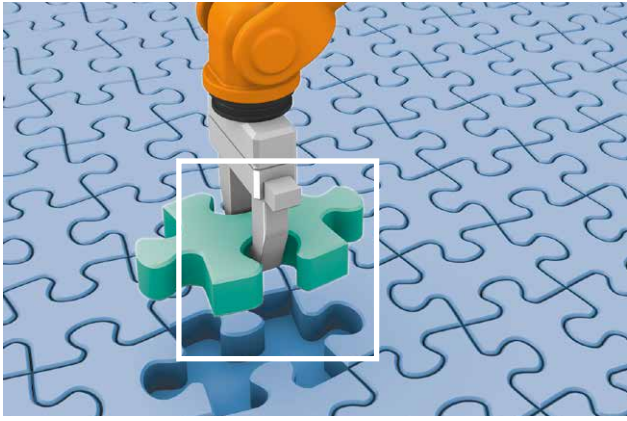




VISIO NERF



Vision for Your Automation



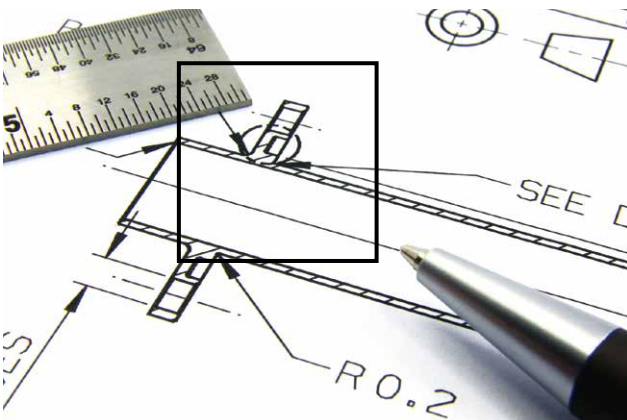
3D VISION

- 3D Localisation,
- 3D Guidance,
- 3D Bin Picking,
- 3D Identification,
- 3D In Line Measurement.



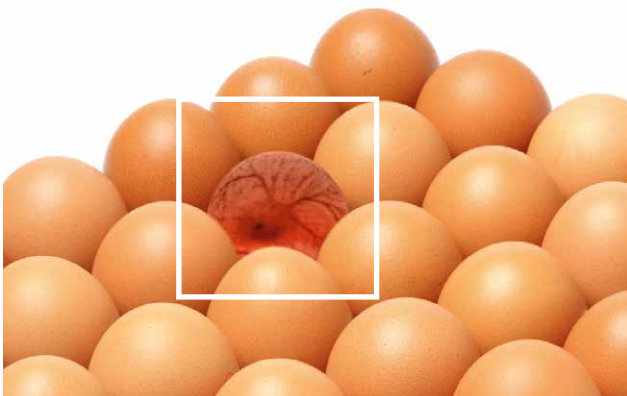
OPTICAL SORTING

- Fruits (grapes...),
- Lettuce (lamb's lettuce),
- Vegetables,
- Meat,
- Cheese.



INSPECTION AND MEASUREMENTS

- Metrology,
- Assembly inspection,
- Appearance inspection.



EGG CANDLING

- Chickens, ducks, turkeys,
- Pheasants, partridges, quails,
- Embryos for the production of vaccines.





More than 20 years experience of “industrial vision” solutions

With thousands of “industrial vision” solutions set up in all business sectors around the world, VISIO NERF shares its incomparable experience and technological advances with you.

Our values

Innovation, optimised design, respecting our undertakings, whatever the complexity of your problem, we are committed to the result while leaving no stone unturned to give you complete satisfaction.

VISIO NERF

Innovation

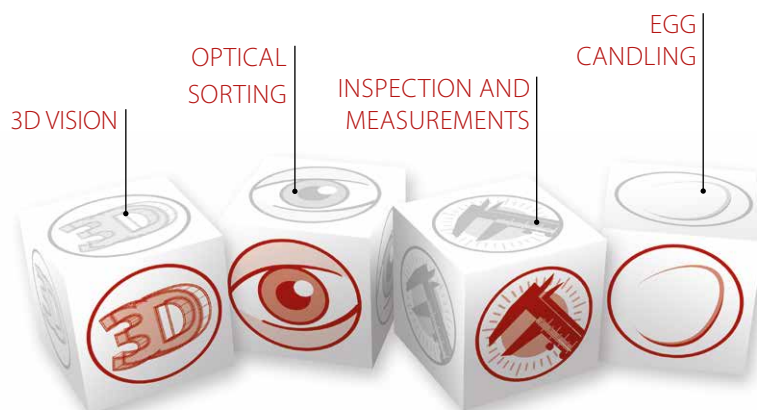
- R & D department attentive to your projects,
- Innovation material design and manufacturing.

Products

- Standard range adaptable to all your needs,
- Components chosen for and adapted to the industrial environment,
- Carefully thought out adaptation for any type of application,
- Evolutionary products totally dedicated to image processing.

Services

- Advice on installation and training in using the equipment,
- Preventive and/or curative maintenance service offer for your equipment in your premises,
- Remote diagnosis and intervention,
- Supply of spare parts,
- Upgrade of existing equipment.



Solution manufacturer

VISIO NERF fully leads the design and material manufacturing of its vision robots just like those of men/machine interfaces.

The realisations put in place are characterised by:

- their technological innovation,
- their intuitiveness,
- their user-friendliness,
- their management by intelligent and standardised “toolbox” type software tools,
- their extended control capability for the user,
- their positioning on process lines.

YOUR solution partner

Each VISIO NERF realisation is a new challenge.

It is developed by working closely with the contracting party, with YOU.

The solution stems from these needs, YOUR needs, these realities, YOUR realities... your “industrial vision” solution.

YOUR PROJECT

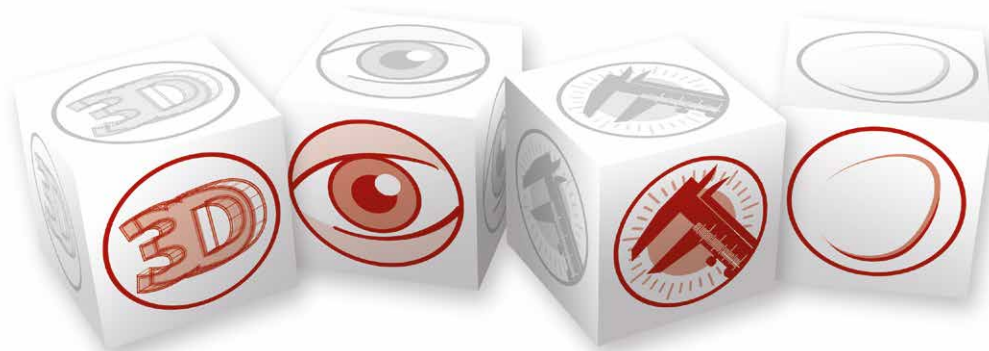




VISIO NERF

ZI de la Caille
49340 Nuillé - France

Tel. 33 (0)2 41 30 00 10
Fax 33 (0)2 41 30 25 08



www.visionerf.com

